

PRODUCT CATALOGUE



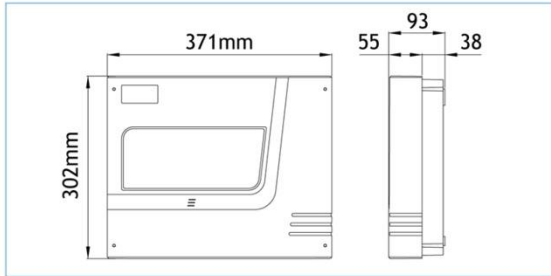
zeta
ALARM SYSTEMS

Infinity 8 Conventional Fire Alarm Panel (IN2 ,IN4 ,IN6 ,IN8 ,IN12)



CE
0086-CPD-575041

TM
KM-575040



The Infinity 8 control panel is housed in the most attractive ,modern designed ,flame retardant ABS enclosure ,utilising a switch mode power supply .It has a fully removable front cover which improves ease of access for cable installations.

Optional Metal Backbox

The Infinity 8 panel can also be ordered with a metal back box facilitating up to ah batteries to fit within the panel housing .To order this version add/“ M ”to the end of the model number(i.e .IN/1M ,IN/2M ,etc.)

Features

- ✓ Access via password - removes problem of lost keys
- ✓ One man test facility
- ✓ Disablement facility for zones & sounders
- ✓ Space for up to 3Ah batteries
- ✓ Sounder delay option
- ✓ 4 sounder circuits (IN4, IN6 & IN8)
- ✓ Sounder circuits 3 and/or 4 can be configured as Aux24V supplies
- ✓ Meets all requirements of latest EN54 part 2 and part14

MODEL	IN2	IN4	IN6	IN8	IN12
Part No	37-651	37-652	37-653	37-654	37-655
Mains Voltage	230V AC +10% / -15% @ 50/60 Hz				
System Voltage	24V DC (Nominal)				
Zone Voltage	21V DC (Nominal)				
Sounder Alarm Output	2 x 150mA @ 24V DC		4 x 150mA @ 24V DC		
Fault Relay	1 x Volt Free Relay, SELV @ 1A Max				
Fault Relay	1 x Volt Free Relay, SELV @ 1A Max				
Zone Capacity	32 devices per zone				
Remote sounder operation	Via N/O contact connected to Class Change				
Sounder Activation Delay	0 to 10 minutes in 1 minute increments				
Zone End of line	1N4002 Diode (Cathode Stripe to Zone +ve)				
Sounder End of Line	10K resistor				
Charger Voltage	27.6V				
Battery cut off	Battery voltage less than20 V				
Battery Internal Resistance limit	0.9 ohm				
Enclosure size	375 x 316 x 90 (mm)				
Weight	3 kg (Excluding Batteries)				
Maximum battery space	2 x 3.4 Ah, 12 Vdc sealed lead acid				

Fyreye MkII Conventional Detectors (MKII-OP , MKII- OH , MKII HF, MKII- HR)



MKII-OP



See table below for
CPD numbers



MKII-OH



MKII-HF



MKII-HR

The Fyreye MkII optical smoke detectors use a pulsing IR LED & photodiode to detect IR scatter caused by smoke entering the chamber.

The detector is particularly suitable for detecting optically dense smoke ,involving materials such as soft furnishings ,PVC ,plastic ,foam and all similar materials which produce small visible particles (0.5to10 μm).

The Fyreye Rate of Rise heat detectors (MKII-HR) use a thermistor arrangement to sense a quick rise in temperature and also a final threshold temperature of 57° C. The Fyreye fixed heat detector (MKII-HF) has a single thermistor arrangement that gives an alarm at a temperature of 90° C.

Features

- ✓ Designed to meet EN54 requirement
- ✓ Lockable to base to stop unauthorised removal
- ✓ Remote LED output
- ✓ Compatible with all Fyreye bases

Model	MKII-OP	MKII-OH	MKII-HF	MKII-HR
Part No.	80-200	80-206	80-204	80-202
Detector Class	Optical Smoke	Combined Smoke & Heat	Fixed Heat Only	Rate of Rise & Fixed Heat Detector
Design Standard	EN 54part7	EN 54 part 7 & 5	EN 54part5	EN 54part5
Approval	DIFT			
CPD Number	0845-CPD-232.1700	0845-CPD-232.1703	0845-CPD-232.1701	0845-CPD-232.1702
Operating Voltage	9-33V DC			
Quiescent Current	40μA			
Alarm Current @24 V DC	34mA			
Operating Temperature	-10°C to +50°C			
Minimum Continuous Temperature	0° C			
Maximum Humidity	95% RH non-condensing			
Alarm Condition	2.4% obscuration per metre		Fixed heat trigger @90°C	Rate of rise or fixed heat trigger @57° C
Coverage	100m ²		50m ²	
IP Rating	Ip43			
Start-up Time	10 Seconds			
Size (with Base)	100 x 48 mm	101 x 64 mm	100 x 48 mm	100 x 48 mm
Weight (with Base)	75g (133g)			

Bases

There are 4 types of mounting base available ;standard or deep and with or without diode.

Model	MKII-CB	MKII-CB/D	MKII-DB	MKII-DB/D
Part No.	80-220	80-221	80-222	80-223
Type	Common Base	Common Base	Diode Base	Diode Base
Size	100 x 16mm	100 x 32mm	100 x 16mm	100 x 32mm
Weight	53g	64g	53.2g	64.2g

Miditone Conventional Sounder (ZMDD/8R ,ZMDD/8W)



ZMDD/8R



ZMDD/8W

The Miditone sounders

are small ,high output conventional devices which are designed to meet EN 54 part 3 & are CE marked.

The device is a compact unit that fits a standard European back box and can be either surface or flush mounted .It has a choice of 8 tone patterns ,selectable by an internal dip switch and a sound output of 95 dB @ 1m with volume control.

It is available in red or white to meet architectural requirements .

Features

- ✓ Complies to EN54 part 3
- ✓ 95dB @ 1m sound output
- ✓ 8 Tone patterns
- ✓ Flush or surface fixing

Model	ZMDD/8R	ZMDD/8W
Part No.	42-040	42-040A
Sound Output	See current consumption table	
Colour	Red	White
Operating Voltage	9-30V DC	
Quiescent Current	0mA	
Alarm Current @24V	See current consumption table	
Operating Temperature	-10°C to 50°C	
Minimum Continuous Temperature	0°C	
Maximum Humidity	95% RH Non Condensing	
IP Rating	Ip43	
Size (with Back Box)	85 x 85 x 35mm (85 x 85 x 67mm)	
Weight (with Back Box)	100g (150g)	

DIL Switch Settings (SW 4N/A)				ZMDD8/R ,ZMDD8/W	
1	2	3	Tone Description	dB Level	Current (mA)
Off	Off	Off	Sweep Negative 500 -1200Hz In 1 Second	97 (+/- 2dB)	21
On	Off	Off	Alternating 554 and440 Hz0.5 s Each	95 (+/- 2dB)	17
Off	On	Off	Continuous660 Hz	96 (+/- 2dB)	22
On	On	Off	Alternating 554 Hz 0.1 @ s/440 Hz 0.4 @ s	94 (+/- 2dB)	17
Off	Off	On	Intermittent970 Hz0.5 @ s On/Off	93 (+/- 2dB)	8-24
On	Off	On	Continuous970 Hz	95 (+/- 2dB)	25.5
Off	On	On	Sweep Positive800-970 Hz	99 (+/- 2dB)	25
On	On	On	Alternating 800 and970 Hz0.25 @ s Each	100 (+/- 2dB)	25

Securetone 2 Conventional Sounder/Beacon

(ZS2-CS/R ,ZS2-CS/W ,ZS2-CSB/TR ,ZS2-CSB/T ,ZS2-CB/TR & ZS2-CB/T)



ZS2-CS/R



ZS2-CS/W



ZS2-CSB/TR



ZS2-CSB/T



ZS2-CB/TR



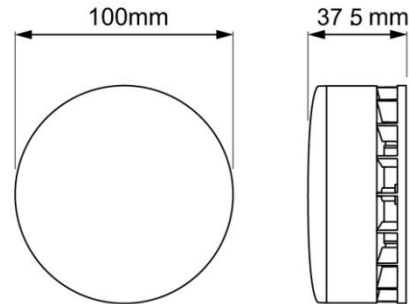
ZS2-CB/T

The Securetone 2 is a low consumption sounder designed to be used as an unobtrusive low profile sounder or as a base sounder to be installed in conjunction with a conventional detector .This leads to reduced installation costs and improves the aesthetics of the fire alarm system.

Four different tones are available and selected by jumpers .The Sound level can be adjusted if required , using the potentiometer.

The complete range is composed of 3 varieties in both base and wall mounted versions :Beacon ,Sounder and combined Sounder /Beacon .detectors ,external power supplies etc.

For more details and connection information consult the installation guide.



	Sounders		Sounder Beacons		Beacons	
Model	ZS2-CS/R	ZS2-CS/W	ZS2-CSB/TR	ZS2-CSB/T	ZS2-CB/TR	ZS2-CB/T
Part No.	42-550	42-551	42-552	42-553	42-554	42-555
CPR No.	1328-CPR-0386		1328-CPR-0387			
Supply Voltage	20V to 30V DC					
Colour	Red	White	Red	Transparent	Red	Transparent
Alarm Current 800 - to 1000 HZ	4mA		5.5mA		2.5mA	
Alarm Current - 2.0to 3.0 KHZ	7mA		8.0mA		2.5mA	
Sounder Output - Low Freq.	84dB @1m				N/A	
Sounder Output - High Freq.	88dB @1m				N/A	
Max .Cable Size	2.5mm ²					
Max .Humidity	95%RH Non-Condensing					
Operating Temperature	-10°-C to 55°C					
Dimensions (mm)	100 (Dia) x 37.5(H)					
Weight	110 grams					

Maxitone Conventional Sounder & Sounder & Combined Sounder/Flasher (ZMT/8R ,ZMT/8W & ZMTF/8R)



ZMT8/W

The Maxitone sounder is an ideal alternative to fire bells and for external use .It is housed in an attractive horn comprises of flame retardant ABS .Eight selectable tones and volume control are featured to meet most requirements.



ZMT8/R

The Maxitone is also available with transparent polycarbonate front which will provide both visual and audible alarm.

Features

- ✓ High output
- ✓ 8 selectable tones
- ✓ Volume control



ZMTF8/R

Model	ZMT8/R	ZMT8/W	ZMTF8/R
Part No.	42-001	42-001A	42-032
Sound Output	See current consumption table		
Colour	Red	White	Red
Operating Voltage	17-35V DC		
Quiescent Current	0mA		
Alarm Current @ 24V	See current consumption table		
Operating Temperature	-20°-C to 60°C		
Minimum Continuous Temperature	0° C		
Maximum Humidity	95% RH non condensing		
IP Rating	Ip65		
Size	124 x 130 x 100mm		
Weight	357g		

DIL SWITCH SETTINGS (SW 4N/A)					
1	2	3	Tone Description	dB Level	Current (mA)
Off	Off	Off	Sweep Negative 1200 500 Hz In 1 Second	101 (+/- 2dB)	27
On	Off	Off	Alternating 554 and 440Hz 0.5s Each	98 (+/- 2dB)	20
Off	On	Off	Continuous 660 Hz	101 (+/- 2dB)	27
On	On	Off	Alternating 554 Hz @ 0.1s/440Hz @ 0.4s	98 (+/- 2dB)	19
Off	Off	On	Intermittent 970 Hz @ 0.5s On/Off	98 (+/- 2dB)	20
On	Off	On	Continuous 970 Hz	103 (+/- 2dB)	29.3
Off	On	On	Sweep Positive-800 970Hz	103 (+/- 2dB)	38
On	On	On	Alternating 800 and 970Hz @ 0.25s Each	102 (+/- 2dB)	35

Reset Call Point & Waterproof Reset Call Point (ZT-CP3, ZT- CP3/WP)



The ZT-CP3 and ZT-CP 3/WP call points are unique in that they mimic the feel of breaking glass whilst offering the user the benefits and environmental advantages of a re-settable operating element.

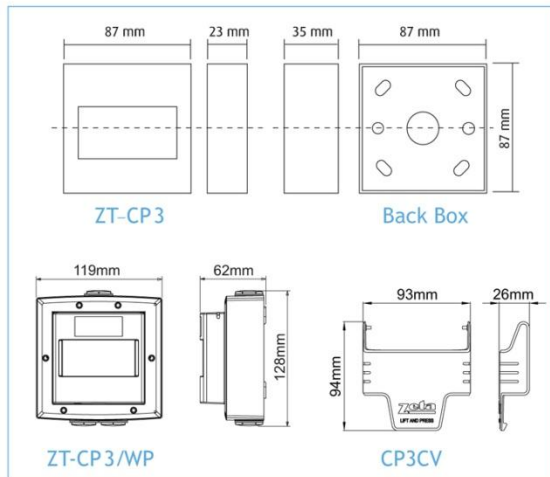
The CP3 uses a simple yet ingenious patented mechanism which consists of a rigid plastic operating element and an over centre spring mechanism. This arrangement provides real action on operation and simulates break glass activation.

An activation indicator drops into view at the top of the window after the CP 3 has been operated. The unit is then simply reset with a key and is ready for re-use straight away.

A special Polycarbonate cover (CP3-CV) is available for extra protection against accidental activation and thus allowing the unit to operate as a double action call point. This must be ordered separately.

Flush Mount Installation

An optional flush mount bezel is available for the indoor ZT-CP3 call point and can be ordered under the code CP3-FMB.



Features

- ✓ EN54-11 approved
- ✓ Waterproof tested to IP67 (ZT-CP3/WP only)
- ✓ Glass appearance maintains operator deterrence
- ✓ Positive activation that mimics the feel of breaking glass
- ✓ Visible warning flag confirms activation
- ✓ Simple key to reset operating element (no broken glass)
- ✓ Complete functional test with every activation

Model	ZT-CP3	ZT-CP3/WP
Current Rating	(All Series) 3 Amps 12-24 V DC (Series 11 02 & 04) 3 Amps 125-250 V AC	(Series 11 & 01) 3 Amps 12-24 V DC (Series 11) 3 Amps 125-250 V AC
Low Current Rating (All Series)	1-100 mA 5 - 12V DC 0.1 Amps 125 - 250V AC	
Housing and Mounting Box Material	Polycarbonate	
Electrical Contact Material	Silver plated brass	
Operating Temperature	-20degrees C to 65+ degrees C	
Installation Terminal Conductor Size	0.5mm - 2.5mm	
Colours	Red ,Yellow ,Green ,Blue & White	
Mounting	Flush or surface with back box	
IP Rating	IP32	IP67

Zeta Beam Motorised Reflective Optical Beam Smoke Detector (ZT-BEAM ,ZT-BEAM/KIT 80,ZT-BEAM/KIT 100)

ZT-BEAM



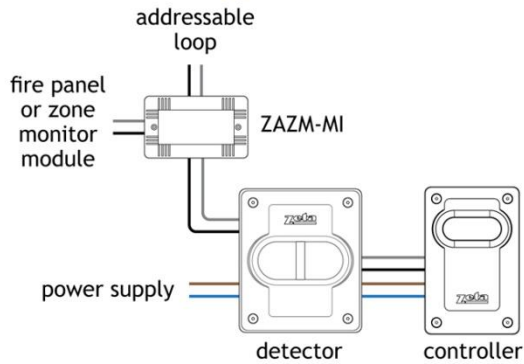
0786-CPD-20241



Developed to overcome the problems of old outdated technology in beam detection , this motorised beam now means that beam detection can be used reliably to produce cost effective solutions for protecting large areas.

Building movement and accessibility have in the past ,made beam detection unreliable ,difficult ,time consuming to commission and hard to maintain ,but now by using the advanced motorised technology of the fire beam unreliability is no longer a problem .The ZT-BEAM will self align itself to the centre of the reflector when commissioning and will automatically keep alignment with the reflector when building movement occurs .This intelligent motorisation will mean less false alarms therefore saving time ,resources ,reputations and ultimately money.

Connection Diagram

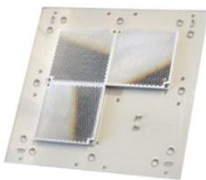


Features

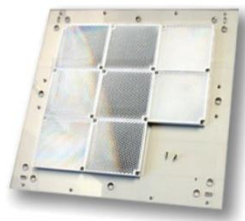
- ✓ Motorised head unit
- ✓ Controller unit (mounted at low level)
- ✓ Designed to comply with EN54 part 2
- ✓ Compatible with most major fire panels
- ✓ Very low power consumption
- ✓ Uses only 3mA at all times

Additional System Components

- ✓ ZT-BEAM/KIT 80 Mid range kit for distances between 40 and 80 metres.
- ✓ ZT-BEAM/KIT 100 Long range kit for distances between 80 and 100 metres.



ZT-BEAM/KIT80



ZT-BEAM/KIT100

Order Information

For 40 m Beam	ZT-BEAM
For 80 m Beam	ZT-BEAM + KIT / 80
For 120 m Beam	ZT-BEAM + KIT / 100
For Zone Monitor Module	ZAZM-MI

FEUV 2000 Fyreye Ultra-Violet Flame Detector



MODEL	FEUV2000
PART NO	80-045
INPUT VOLTAGE	12-28 V DC
UIESCENT CURRENT	320 A
OPERATING TEMPERATURE	0°C to 45°C
MA WIND SPEED	NOT AFFECTED
STORAGE TEMPERATURE	-25°C to 80°C
ALARM CURRENT	45-50 mA
DETECTION ANGLE	120°
UV SENSITIVITY	185 260 nm
RESPONSE TIME	10 sec for 30mm ame 4 metres
SIZE (WxHxD mm)	98 98 36
WEIGHT	85 g
BASE	FE-CB, FE-DB, FE-RB, FE-SB, FE-SFB

ZG-100 Stand Alone Combustible Gas Detector



MODEL	ZG-100N	ZG-100L
PART NO	47-405	47-410
SUPPLY VOLTAGE	230V @50/60Hz AC or 9-28V DC	
QUIESCENT CURRENT	140 mA	
START-UP CURRENT	220mA	
ALARM CURRENT	500mA (excluding Alarm output)	
BUZZER OUTPUT	85dB@ 3m	
OPERATING TEMPERATURE	0°C to 50°C	
MAX. HUMIDITY	95% RH N/C	
RESPONSE TIME	<30 SECONDS	
SENSITIVITY	4400ppm	1700ppm
SIZE (WxHxD mm)	150mm x 90mm x 70mm	
WEIGHT	1 kg	